

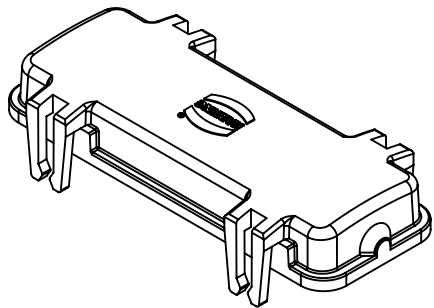
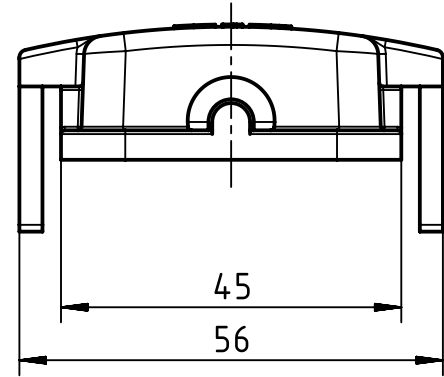
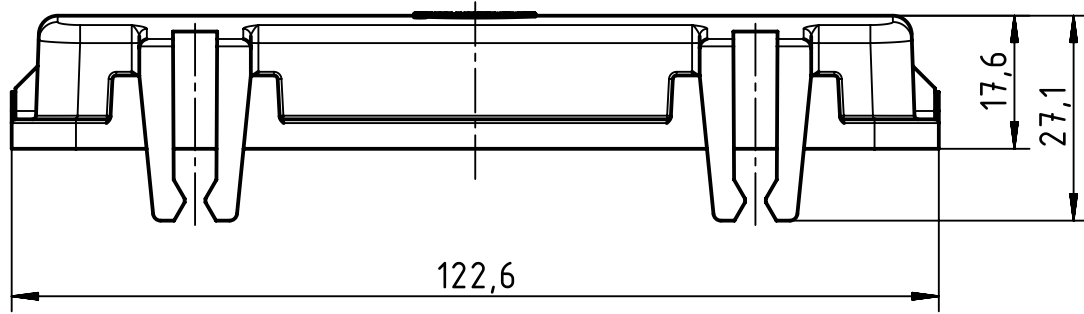
1 2 3 4 5 6


A

B

C

D



	All rights reserved		Created by RULLKOETTER		Inspected by SUNDERMEIER		Standardisation RUETERA		Date 2020-02-12		State Final Release	
	Department EL PD		Title Han 24B Prot.Cover w latch Plastic black		Doc-Key / ECM-Nr. 100847107/UGD/000/B 500000159695		Type TB		Number 09 30 724 5401		Rev. B	
HARTING Electric GmbH & Co. KG D-32339 Espelkamp			Scale 1:1		Free size tol.		Ref.		Sub.		Page 1/1	
			All Dimensions in mm Original Size DIN A4									