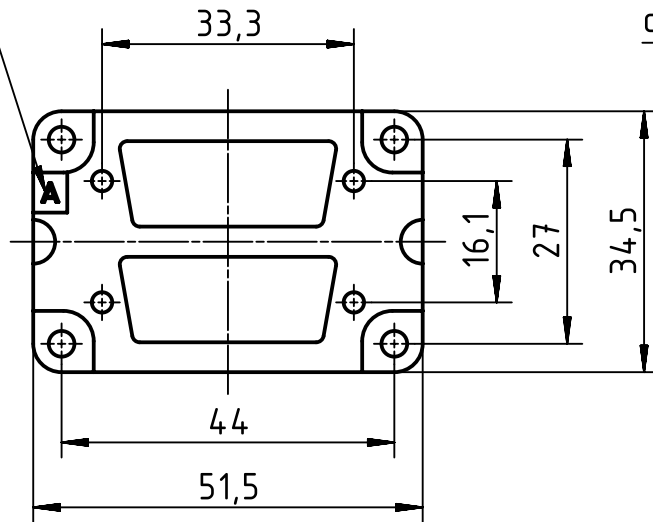
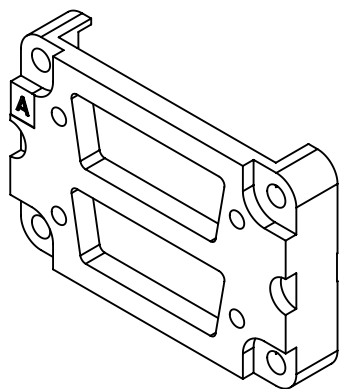
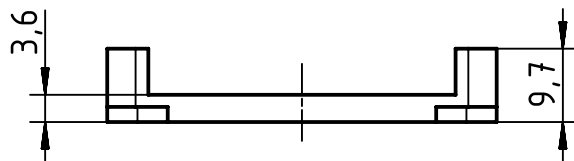
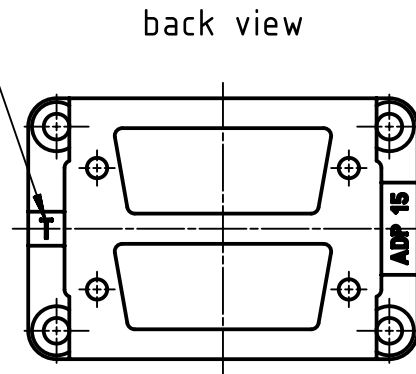



mounting in housing:
character "A" visible



mounting in hood:
character "T" visible



belongs to range of delivery:
4x screws ISO 1481-ST2,9x6,5F
4x screws ISO 1207-M3x14

| | | | | | | | | | | |
|---|--|---------------------------------------|------------------------|--|-----------------------------|--|----------------------------|--|--|--|
|  | All Dimensions in mm Original Size DIN A4 | | Scale 1:1 | | Free size tol. | | Ref. | | | |
| | All rights reserved Department EL PD - DE | | Created by HARLASSK | | Inspected by NICHTERLEIN | | Standardisation RUETERA | | | |
| HARTING Electric GmbH & Co. KG D-32339 Espelkamp | | Title Adapter Han 6B - 2x D-Sub 15 | | | | | Date 2017-09-21 | | State Final Release | |
| | | Type TB | | | | | Number 09 30 000 9971 | | Doc-Key / ECM-Nr. 100210146/UGD/004/A 500000125248 | |
| | | | | | | | Rev. A | | Page 1/1 | |