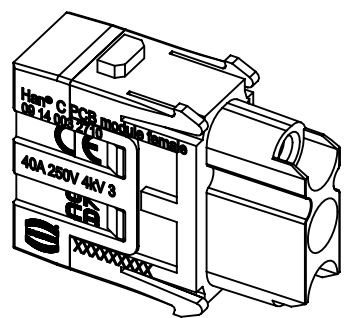
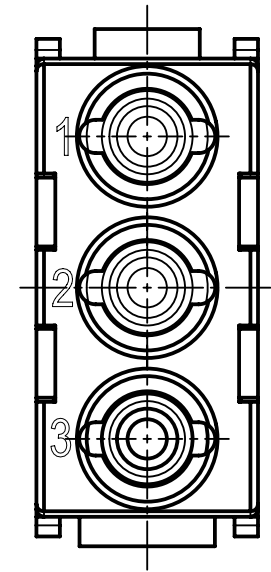
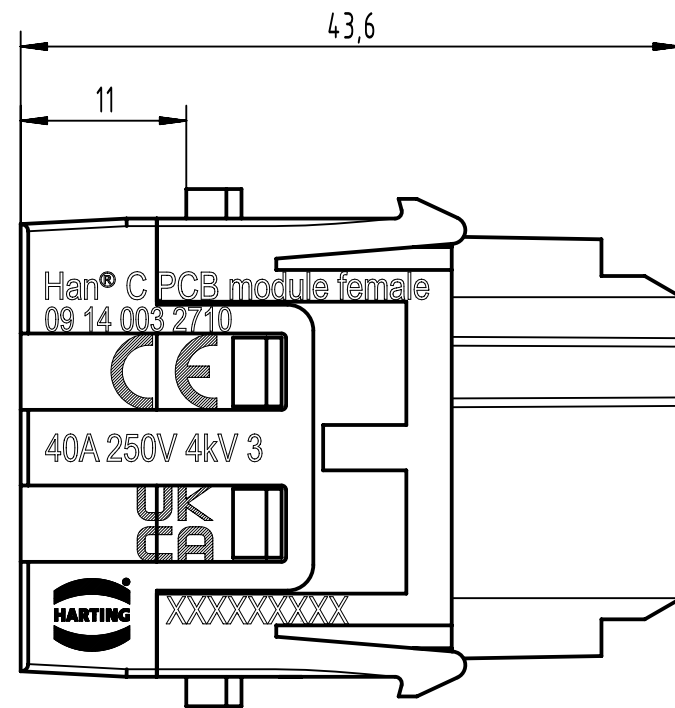
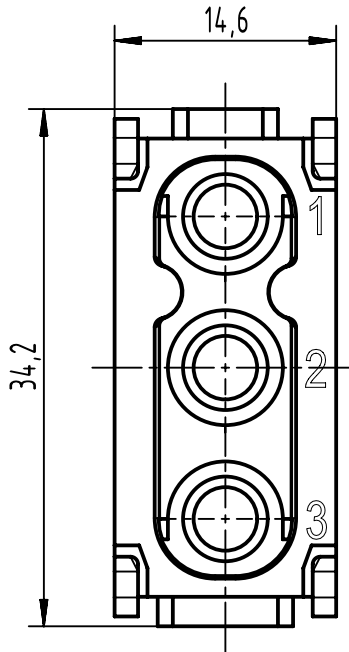
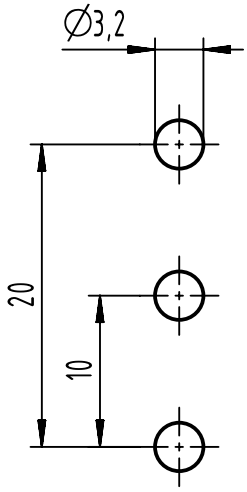


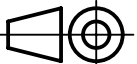


Layout of printed circuit boards



	All rights reserved		Created by HOLLERT		Inspected by SUNDERMEIER		Standardisation		Date 2023-01-20		State Final Release	
	Department EL PD		Title Han C PCB Module F		Doc-Key / ECM-Nr. 100845242/UGD/001/D 500000235151		Rev. D		Page 1/1			
 D-32339 Espelkamp			Type TB		Number 09 14 003 2710							
 All Dimensions in mm Original Size DIN A4			Scale 2:1		Free size tol.		Ref.		Sub.			