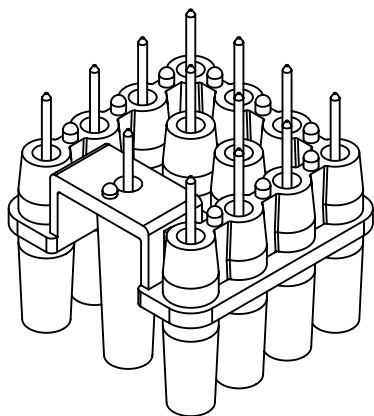
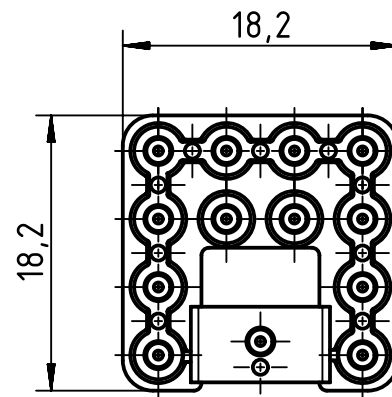
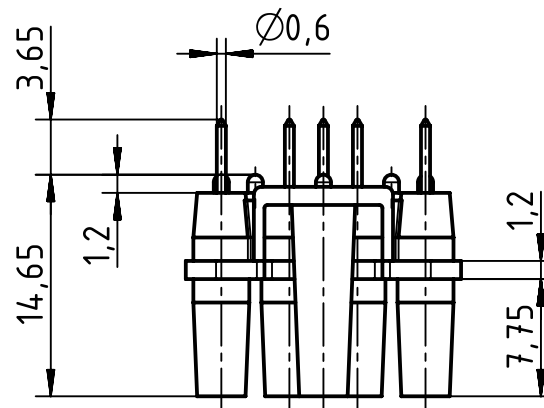
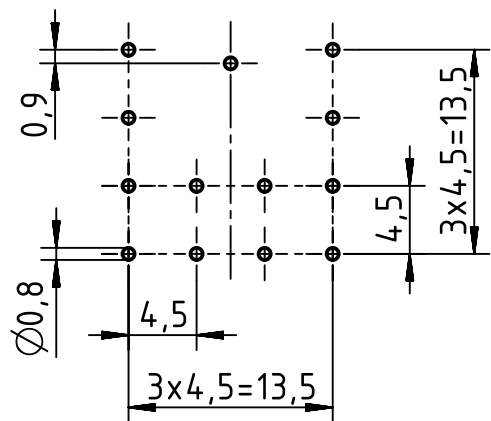



Layout of printed circuit boards



	All rights reserved Department EL PD - DE	Created by KLASSENP		Inspected by SCHNIEDER		Standardisation TIEMANNA		Date 2017-02-22		State Final Release	
		Title Han Q12/0 PCB Adapter								Doc-Key / ECM-Nr. 100185229/UGD/005/A 500000115896	
HARTING Electric GmbH & Co. KG D-32339 Espelkamp		Type TB		Number 09 12 012 9901				Rev. A		Page 1/1	