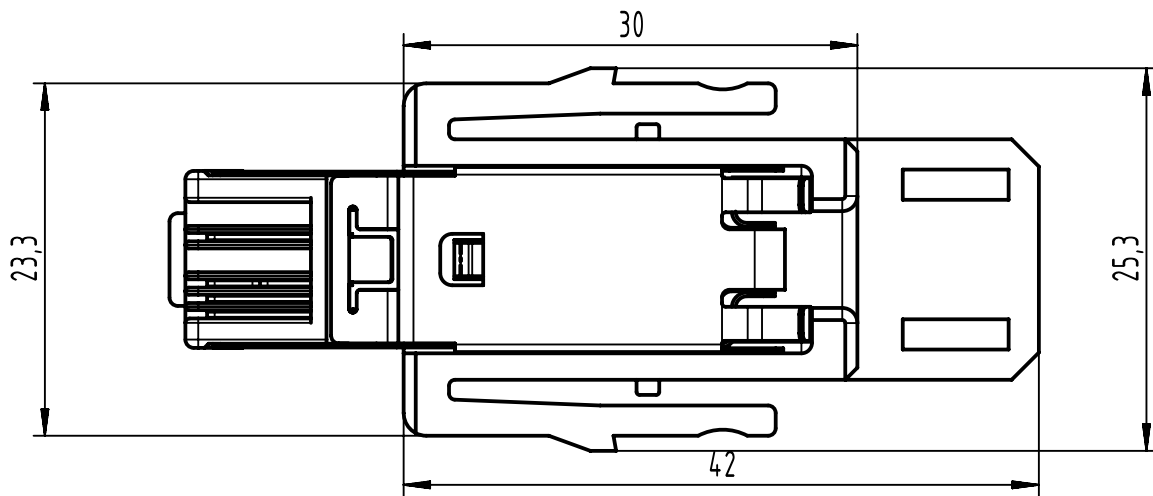
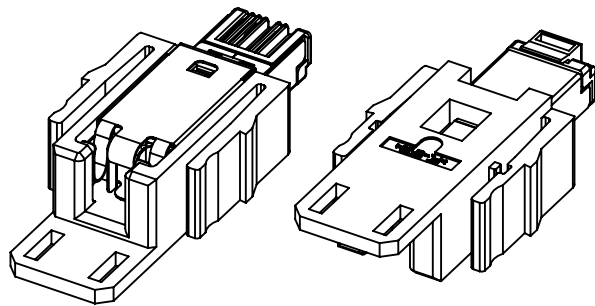



A and B reference plans acc. to IEC 606033-7



Data contact plating: Au 1,27µm over nickel

	All rights reserved Department EL PD	All Dimensions in mm Original Size DIN A4	Scale 2:1	Free size tol.		Ref.
		HARTING D-32339 Espelkamp	Created by 406403	Inspected by PREUTU	Standardisation ROEBEN	Date 2023-02-27
Title Han-Modular RJ45 Cat5 plug 4p IDC AWG 26						Doc-Key / ECM-Nr. 100774618/UGD/001/A 500000238334
Type TB					Number 09454001109	Rev. A
						Page 1/1