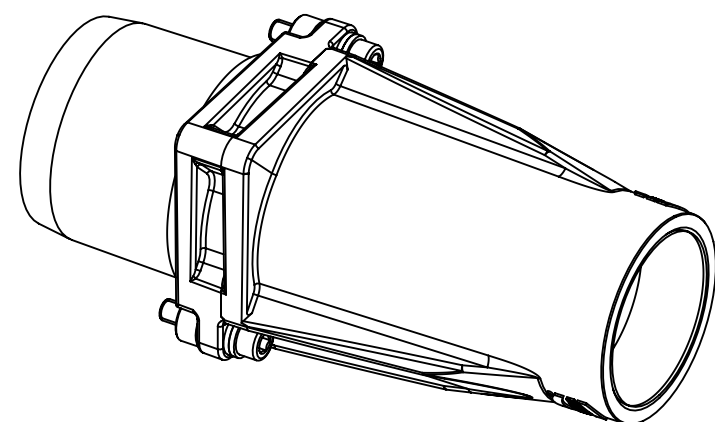
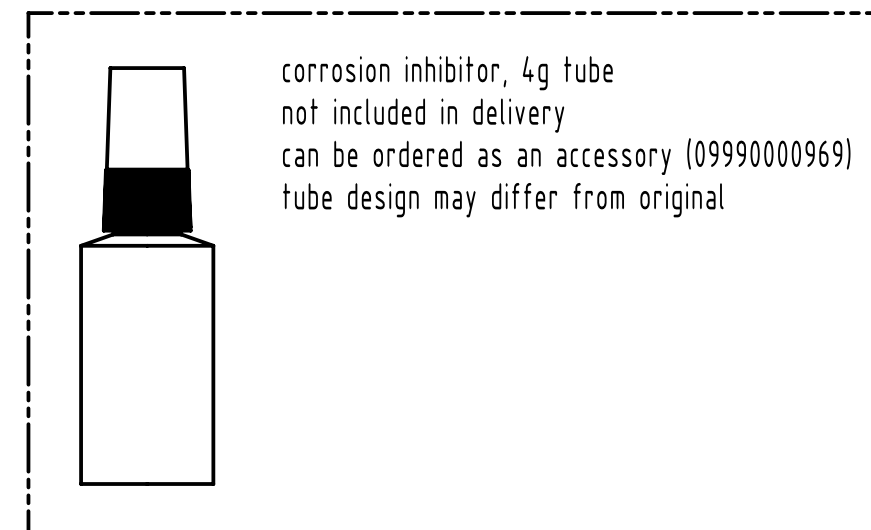
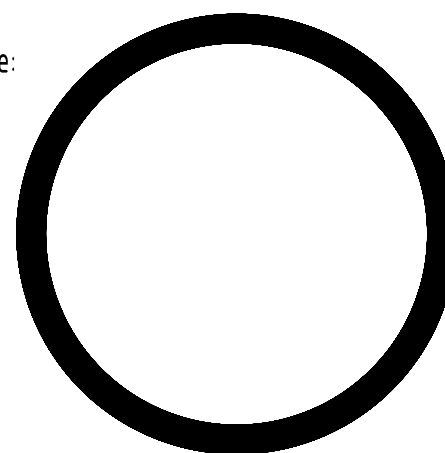


potential transition
apply corrosion inhibitor on this face:

Important: no inhibitor allowed
on any adjacent surfaces e.g.
inner thread



parts in scope of delivery are not assembled
assembly instructions acc. to QR-code on packaging

	All rights reserved Department EL PD	All Dimensions in mm Original Size DIN A3		Scale 1:1	Free size tol.	Ref.
		Created by DEIMEL	Inspected by 104260	Standardisation	Date 2023-11-03	State Final Release
HARTING D-32339 Espelkamp		Title Han HPR SP3 185mm ² w/o CG			Doc-Key / ECM-Nr. 100876680/UGD/000/B 500000256370	
		Type TB	Number 10 40 331 1118		Rev. B	Page 1/1