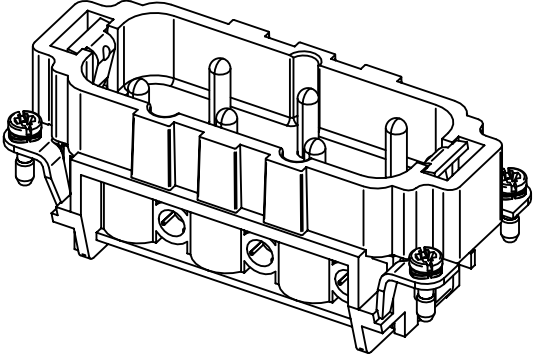
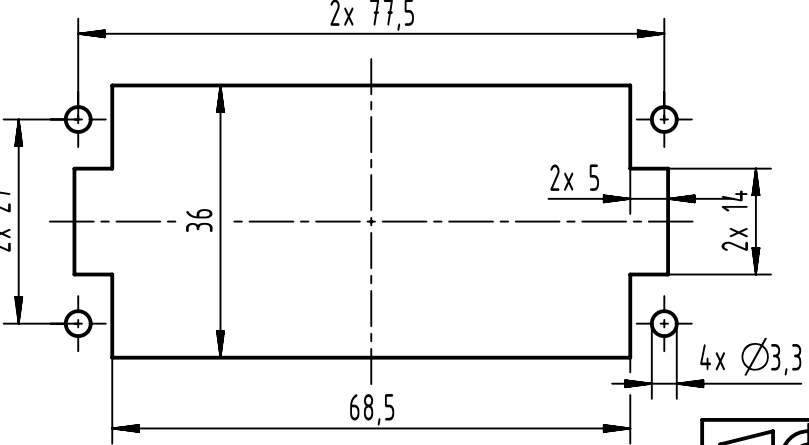



panel cut out



	All rights reserved Department EL PD	All Dimensions in mm Original Size DIN A4		Scale 1:1	Free size tol.	Ref. Sub.
		Created by BALSAN	Inspected by 402602	Standardisation SAP_WFRT	Date 2022-09-07	State Final Release
HARTING D-32339 Espelkamp		Title Han 6HsB-M-S			Doc-Key / ECM-Nr. 100173993/UGD/003/E 500000225070	
		Type TB	Number 09 31 006 2601		Rev. E	Page 1/1