

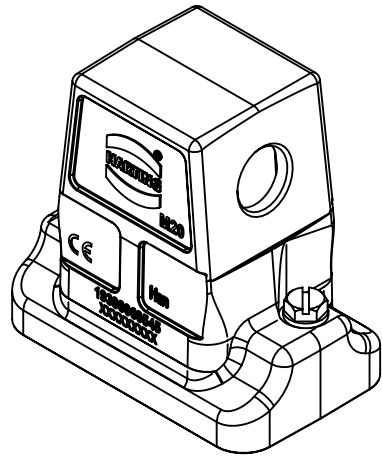
1 2 3 4 5 6

A

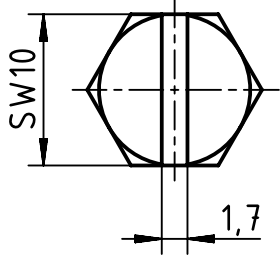
B

C

D

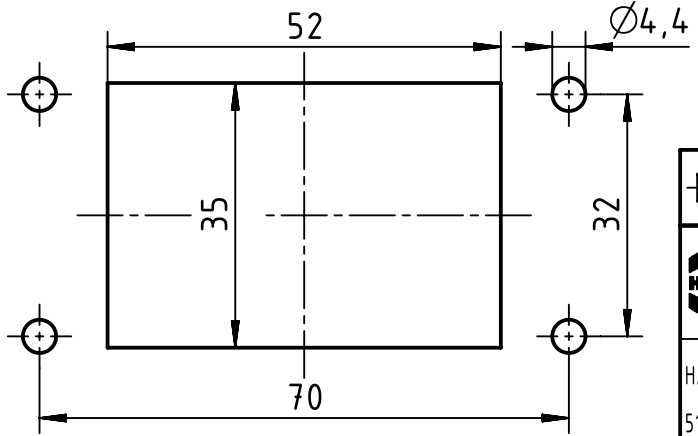
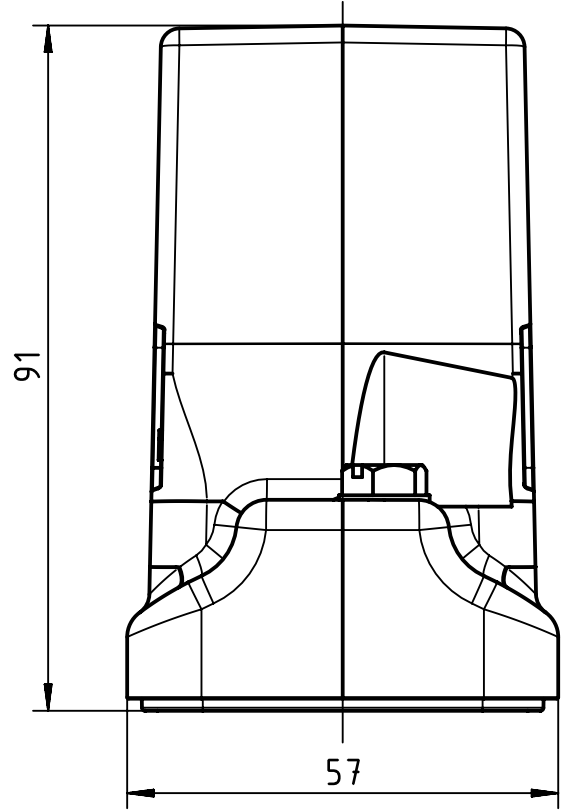
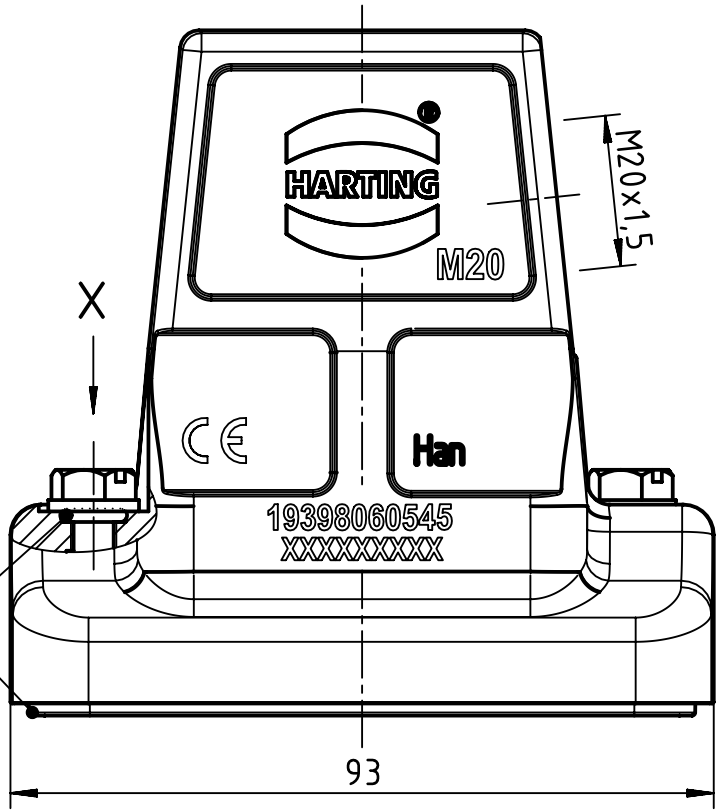


X (2:1)



Panel cut out

Seal



	All Dimensions in mm Original Size DIN A4		Scale 1:1		Free size tol.		Ref.			
	All rights reserved Department EL PD		Created by ZHUANGJ		Inspected by LUOK		Standardisation 302077			
HARTING (Zhuhai) Manufacturing Co., Ltd. 519085 Zhuhai, China			Title Han 6HP Direct/EMV-HSE-M20				Date 2021-02-23		State Final Release	
			Type TB				Number 19 39 806 0545		Doc-Key / ECM-Nr. 100665282/UGD/003/F 500000187461	
							Rev. F		Page 1/1	