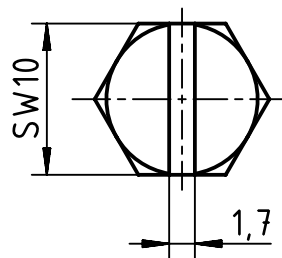
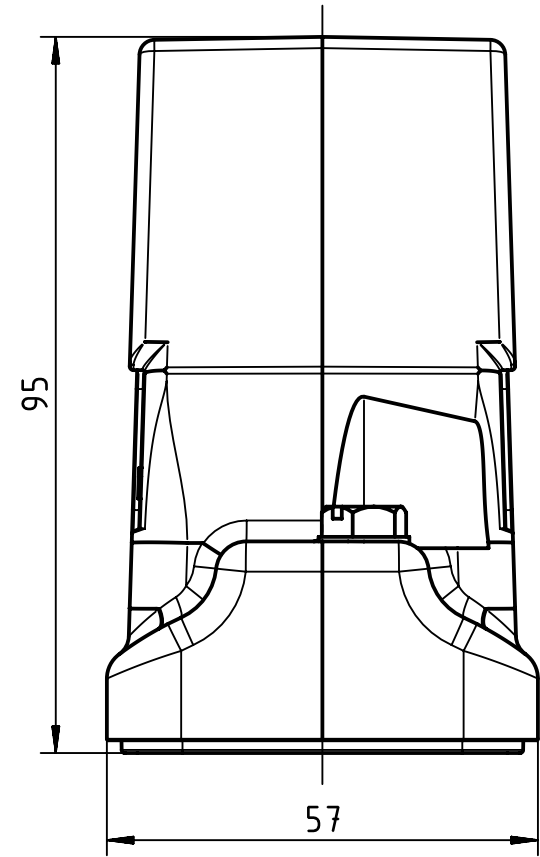
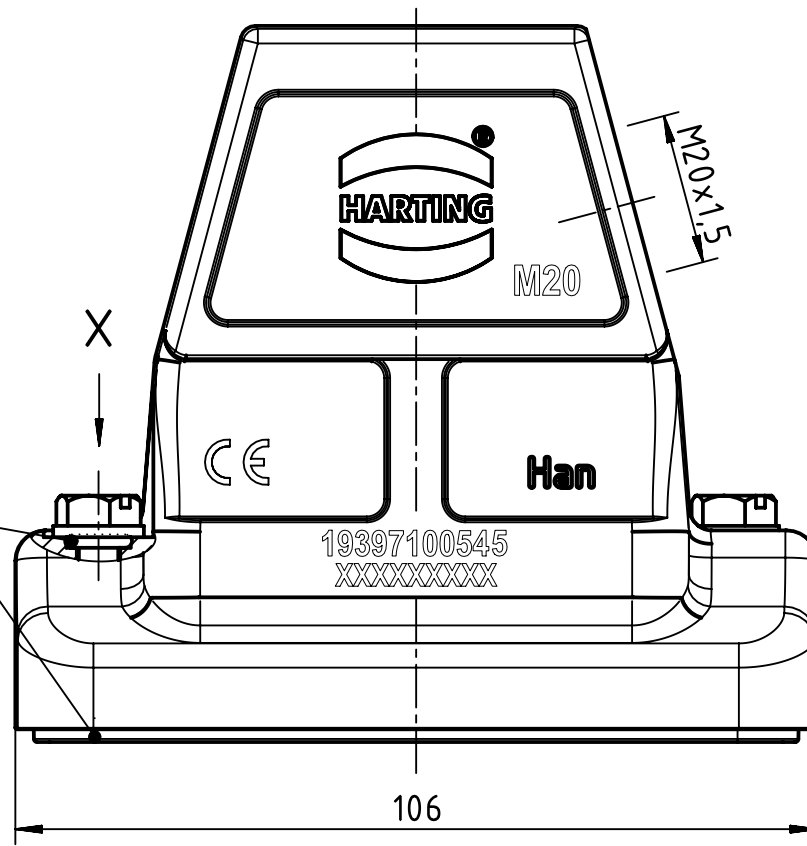


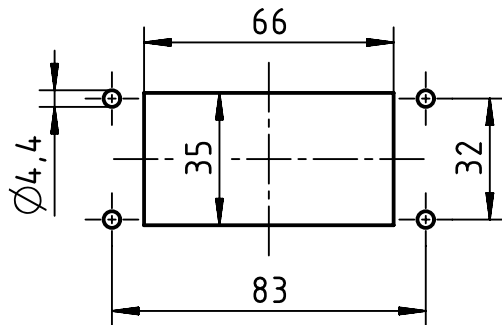
X (2:1)





Seal



Panel cut out (1:2)



	All rights reserved		Created by ZHUANGJ		Inspected by LUOK		Standardisation 302077		Date 2021-02-23		State Final Release	
	Department EL PD		Title Han 10HP Direct/M-HSE-M20		Doc-Key / ECM-Nr. 100664306/UGD/002/F 500000187461		Rev. F		Page 1/1			
HARTING (Zhuhai) Manufacturing Co., Ltd. 519085 Zhuhai, China			Type TB		Number 19 39 710 0545							
 All Dimensions in mm Original Size DIN A4			Scale 1:1		Free size tol.		Ref.					
							Sub.					