

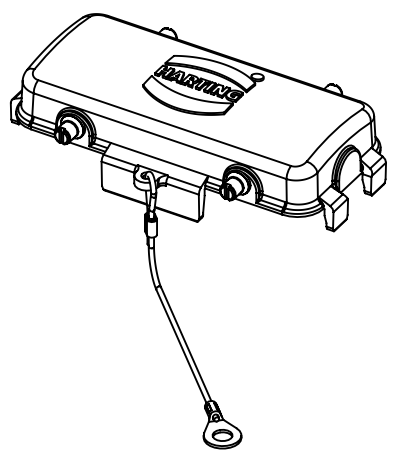
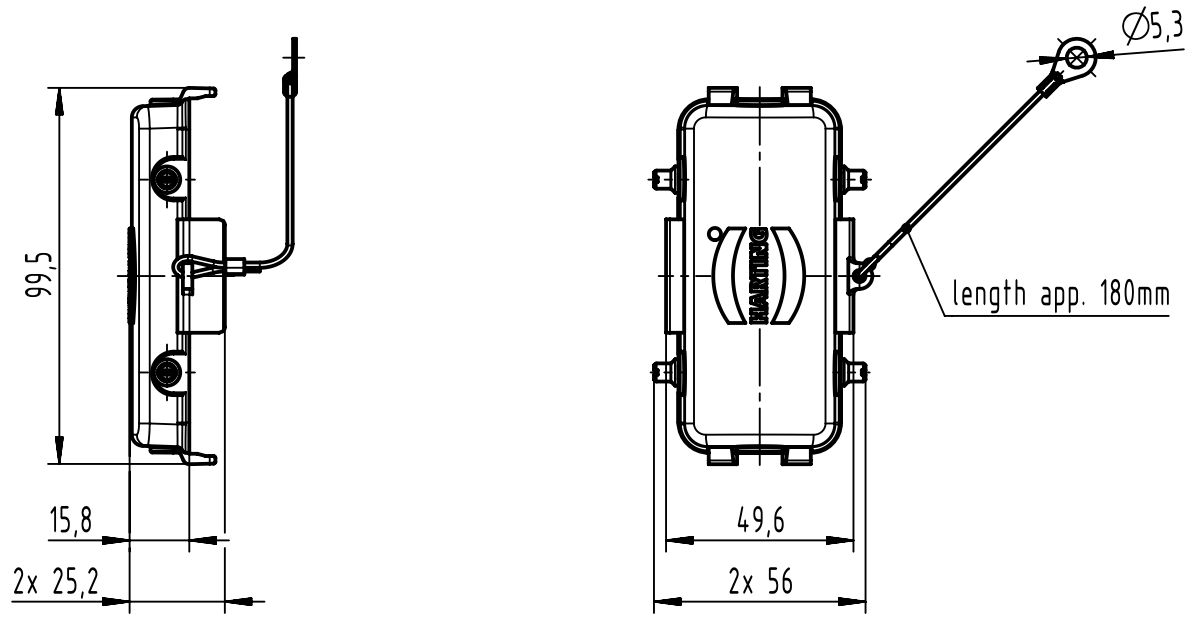
1 2 3 4 5 6

A

B

C

D



	All Dimensions in mm Original Size DIN A4		Scale 1:2	Free size tol.		Ref.		
						Sub.		
	All rights reserved		Created by BALSAN	Inspected by 402625	Standardisation SAP_WFRT	Date 2022-10-24	State Final Release	
	Department EL PD		Title Han 16B-C-INOX				Doc-Key / ECM-Nr. 100925953/UGD/001/B 500000228336	
HARTING D-32339 Espelkamp			Type TB	Number 19 44 016 5405			Rev. B	Page 1/1