

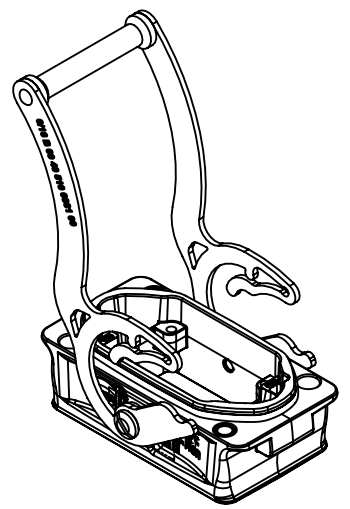
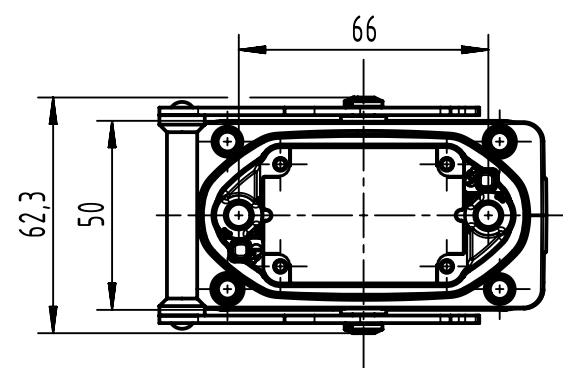
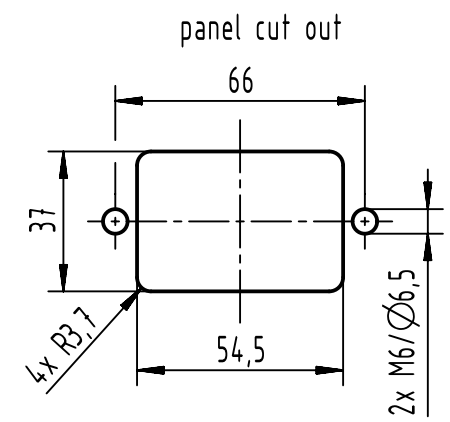
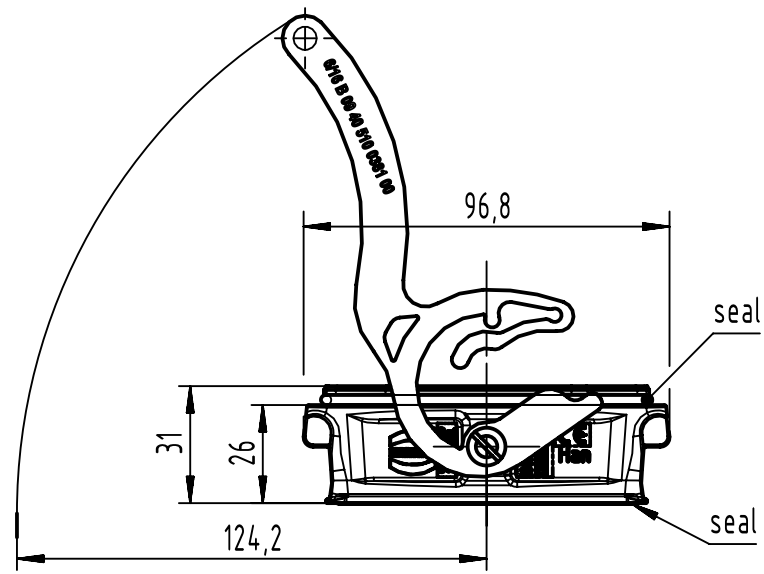
1 2 3 4 5 6

A

B

C

D



	All rights reserved Department EL PD	All Dimensions in mm Original Size DIN A4		Scale 1:2	Free size tol.	Ref. Sub.
		Created by WENE	Inspected by LUOK	Standardisation 302077	Date 2021-06-09	State Final Release
HARTING D-32339 Espelkamp		Title Han 6HPR-Compact-HBM-CL			Doc-Key / ECM-Nr. 100873788/UGD/001/C 500000196500	
		Type TB	Number 09 40 506 0381		Rev. C	Page 1/1