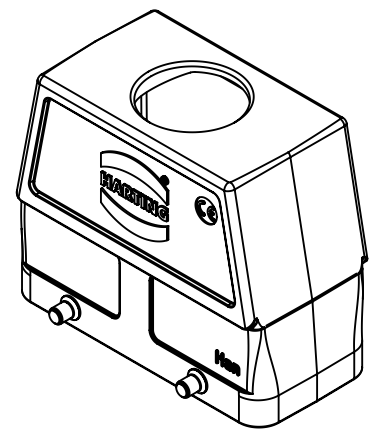
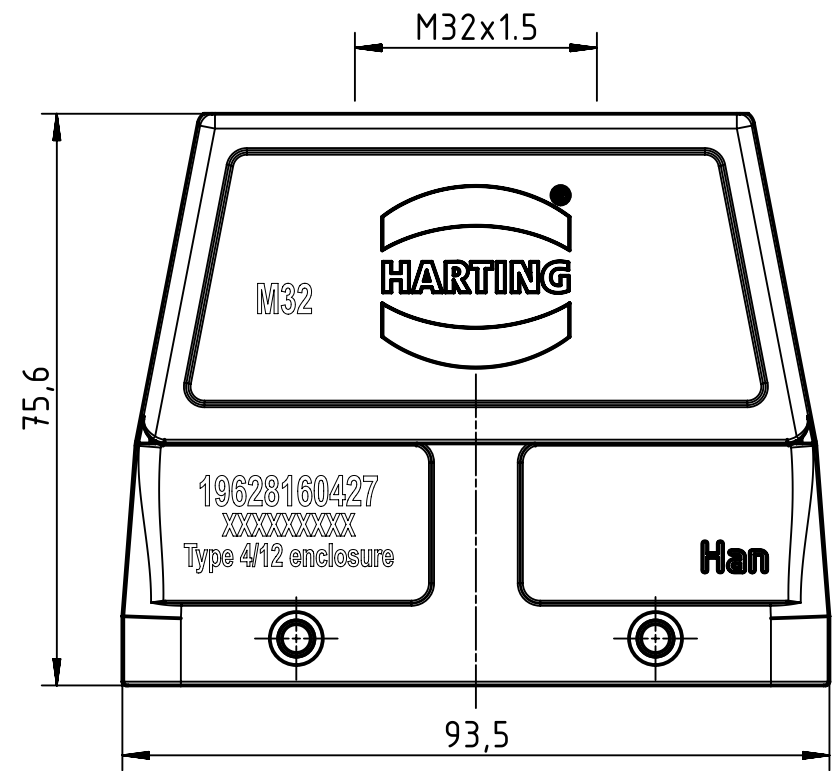
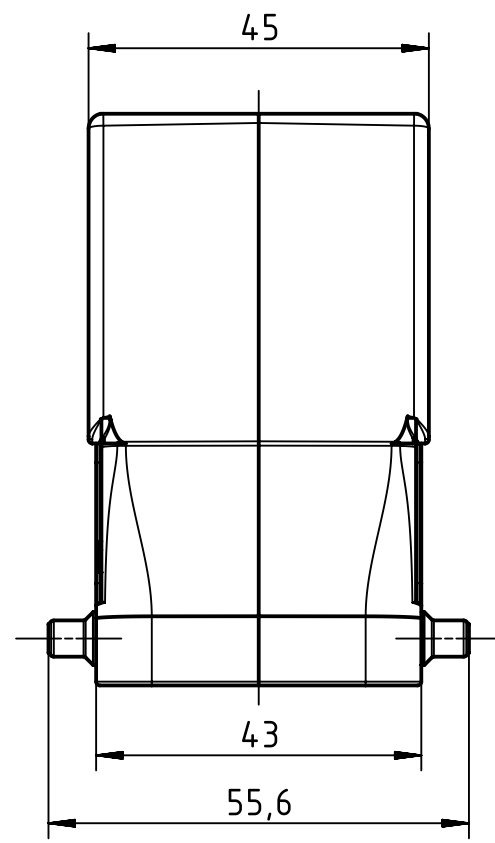


1 2 3 4 5 6

A
B
C
D



	All Dimensions in mm Original Size DIN A4		Scale 1:1	Free size tol.		Ref. Sub.		
		All rights reserved	Created by FINKEV	Inspected by GERB	Standardisation TIEMANNA	Date 2019-12-17	State Final Release	
Department EL PD		Title Han 16EMC/B-HTE-M32 (HT)				Doc-Key / ECM-Nr. 100222463/UGD/002/E 500000162675		
HARTING Electric GmbH & Co. KG D-32339 Espelkamp		Type TB	Number 19 62 816 0427				Rev. E	Page 1/1